

Contents

Important instructions	1
Complete set	1
Introduction	2
Before you start	2
Specifications	2
Power adapter low-voltage contacts arrangement	2
Controls	3
Top panel	3
Left panel	3
Right panel	3
Only for qualified personnel	3
Audio connections and switching	3
Audio connections (2 channels)	3
Audio connections (4 channels)	4
Block diagram	4

IMPORTANT INSTRUCTIONS!

NON-OBSERVANCE OF THE FOLLOWING INSTRUCTIONS MIGHT RESULT IN YOUR AMPLIFIER OR SPEAKERS DAMAGE. GUARANTEE IS VOID IF THE DAMAGES ARE CAUSED BY NON-OBSERVANCE OF THESE INSTRUCTIONS.

- **After transportation or storage of the device under room temperature in its original packaging for AT LEAST 2 HOURS!**
- **To connect the passive switch to other devices use exclusively cables intended for such connections.**
- **Under no circumstances use other types of cables such as for speakers etc.**

CONNECTION of the passive switch to power adapter:

- **Connect the adapter only AFTER all audio connections have been accomplished!**
- **Before connecting the passive switch to power adapter make sure that the casing, cables, low-voltage connector and power plug are free from damages: no cuts, cracks, dents and so on and are in operable condition.**
- **To connect the passive switch to the power adapter first insert the low-voltage connector of power adapter into corresponding socket on the right panel of the switch and then plug the adapter into the wall outlet.**

DISCONNECTION of the passive switch from power adapter:

- **To disconnect the passive switch from the power adapter first disconnect the adapter from mains and then disconnect its low-voltage connector from the socket on the right panel of the passive switch.**

COMPLETE SET

1. Passive switch	1
2. Instruction manual	1
3. Packaging	1
4. Warranty card	1

Safety instructions

IMPORTANT! There are no user-serviceable components inside the device. The device repair must be done only by qualified specialists.

WARNING! To avoid possible malfunctions the device must not be exposed to rain or moisture. Prevent water or other liquids from getting inside the device. Do not place vessels filled with liquids (such as vases etc.) on top of the device.



This symbol points out important information related to the device maintenance and operation which can be found in the accompanying documentation.

Please read the instruction manual carefully.

1. **Keep the manual at hand.**
2. **Pay close attention to the warning instructions.**
3. **Adhere to all maintenance instructions.**
4. **Use only dry cloth to clean the device which must be disconnected from the power adapter.**
5. **Do not place the device next to heat sources, avoid direct sunlight.**
6. **Lay the power cable in such a way that it is impossible to be stepped on. Besides, avoid its contacts with sharp angles etc. If the plug of the power adapter is used for the device disconnection from mains, it must be easily accessible.**
7. **Use only auxiliary devices and accessories recommended by the manufacturer.**
8. **Turn the device off during thunderstorms.**
9. **All works related to the device repair must be carried out only by qualified servicing personnel.**
10. **IMPORTANT! All servicing instructions are intended exclusively for qualified personnel. Do not carry out any repair works not specified in the instruction manual. All repair works are to be carried out by qualified personnel only.**

INTRODUCTION

AMT TRUE SELECTOR TS-2 passive switch (further TS-2) is intended for studio use and live performances.

TS-2 passive switch is intended for switching of two pedal groups (external signal processing devices) in order to combine them in a single flexible complex which allows you to switch from one sound character to another in no time at all.

The TS-2 features are as follows:

- ✓ TS-2 has been built with high quality components.
- ✓ The possibility of modular connection of TS-2 passive switches while configuring the sound system including great number of effects.
- ✓ The ease of device operation and its commutation with other sound processing system constituents.
- ✓ The TS-2 simplicity ensures its high operational reliability.
- ✓ The TS-2 provides low-voltage power supply to the sound processing effects of the system by using single power adapter.

Architecture and other features of TS-2 passive switch:

- ✓ The TS-2 is a two-channel passive switch.
- ✓ The TS-2 allows the use of two or more external effects modules without interfering with the switched signals.
- ✓ If SEND output and RETURN input of any of the channels is not used, the selection of that channel make the signal from INPUT travel directly to the output of the passive switch.



Important! TS-2 like other top class devices is sensitive to power source quality. We insist that you use the power adapter conforming to the quality requirements (recommended adapters: AC/DC Adapter SA09DC-9V 1,11A or AC/DC Adapter SA12DC-12V 1,25A).

Before you start

For safe transportation the device was carefully packaged by the manufacturer. However, if the cardboard packaging is damaged you should immediately inspect the device for the absence of external damages.

- **In case of damages do NOT SEND the device to manufacturer, but inform the seller or transport agency, since otherwise you will lose the right to damage compensation.**
- **In order to avoid damages during storage and transportation always use original packing.**
- **Do not allow children to play with the device and packaging materials.**
- **Please, recycle all packing materials in the way harmless to the environment.**
- **In order to avoid the device overheating provide a sufficient air flow around it; do not cover it and do not place near other heat emitting devices.**
- **Device operation near powerful radio transmitters and sources of high-frequency signals can result in appreciable deterioration of sound. In this case increase the distance between the device and the transmitter and use screened cables for all interconnections.**

CAUTION!

Please be aware that high volume can harm your hearing and / or damage the dynamic heads of your acoustic system. Before turning the device on rotate Volume controls to extreme left position (counter-clockwise). Always try to adhere to moderate volume level.

Specifications

IN DC ADAPTER

Voltage NOM. / MAX. 9 / 12 V
Current NOM. / MAX. 1,25 / 3.0A

OUT 1 DC; OUT 2 DC; OUT 3 DC.

Voltage NOM. / MAX. 9-12 / 15 V
Current NOM. / MAX. 0.8 / 1.25A

Power adapter (optional)

**recommended:
AC/DC Adapter SA09DC-9V 1,11A;
AC/DC Adapter SA12DC-12V 1,25A.**

Dimensions / Weight

Net dimensions (NETTO) (WxHxD). 111x58x73 mm.
NETTO weight 0.23 kg.
Overall dimensions (GROSS) (WxHxD). Appr. 125x83x103mm.
GROSS weight Appr. 0,3 kg.



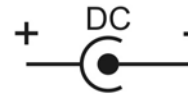
Use only external devices and accessories recommended by the manufacturer.



IT IS STRICTLY PROHIBITED to connect power adapters with AC output voltage to the IN DC ADAPTER socket!

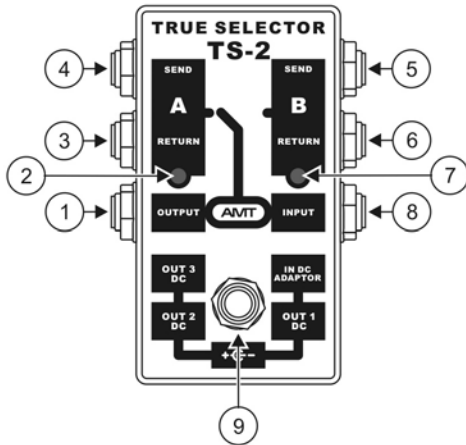
Arrangement of contacts in a low-voltage socket of the adapter.

Расположение контактов на низковольтном разъёме сетевого адаптера.



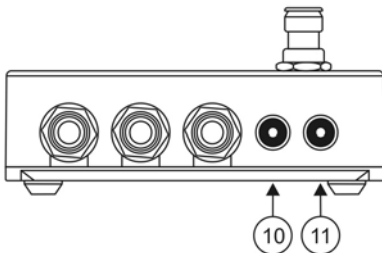
CONTROLS

Front panel



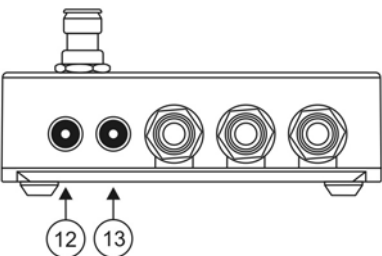
1. **OUTPUT** – passive switch output.
2. Passive switch channel **A** indicator.
3. **RETURN** – input for connection of external effects module to channel **A** of the passive switch.
4. **SEND** – signal output to external effects module from channel **A** of the passive switch.
5. **SEND** – signal output to external effects module from channel **B** of the passive switch.
6. **RETURN** – input for connection of external effects module to channel **B** of the passive switch.
7. Passive switch channel **B** indicator.
8. **INPUT** – passive switch input.
9. **FOOT SWITCH** for selection of external effects modules connected to channels A and B of the passive switch.

Left panel



10. **OUT 3 DC** – socket for external devices' power connectors from the passive switch.
11. **OUT 2 DC** – socket for external devices' power connectors from the passive switch.

Right panel



12. **OUT 1 DC** – socket for external devices' power connectors from the passive switch.
13. **IN DC ADAPTER** – socket for low-voltage connector of the power adapter.

Only for qualified personnel

The device repair must be done only by qualified experts. If the device has not been used for a long time, it is necessary to disconnect the power adapter from mains and remove its low-voltage connector from the device's casing.

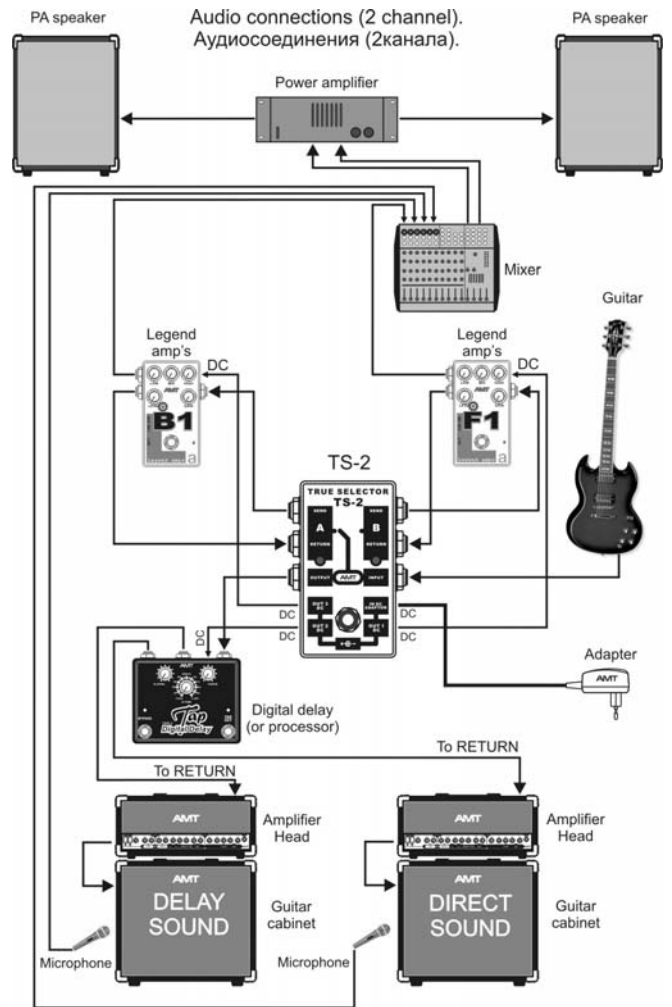
In order to avoid possible damages or traumas connected with inflammation or electric short circuit do not allow any foreign objects or liquids inside the device.

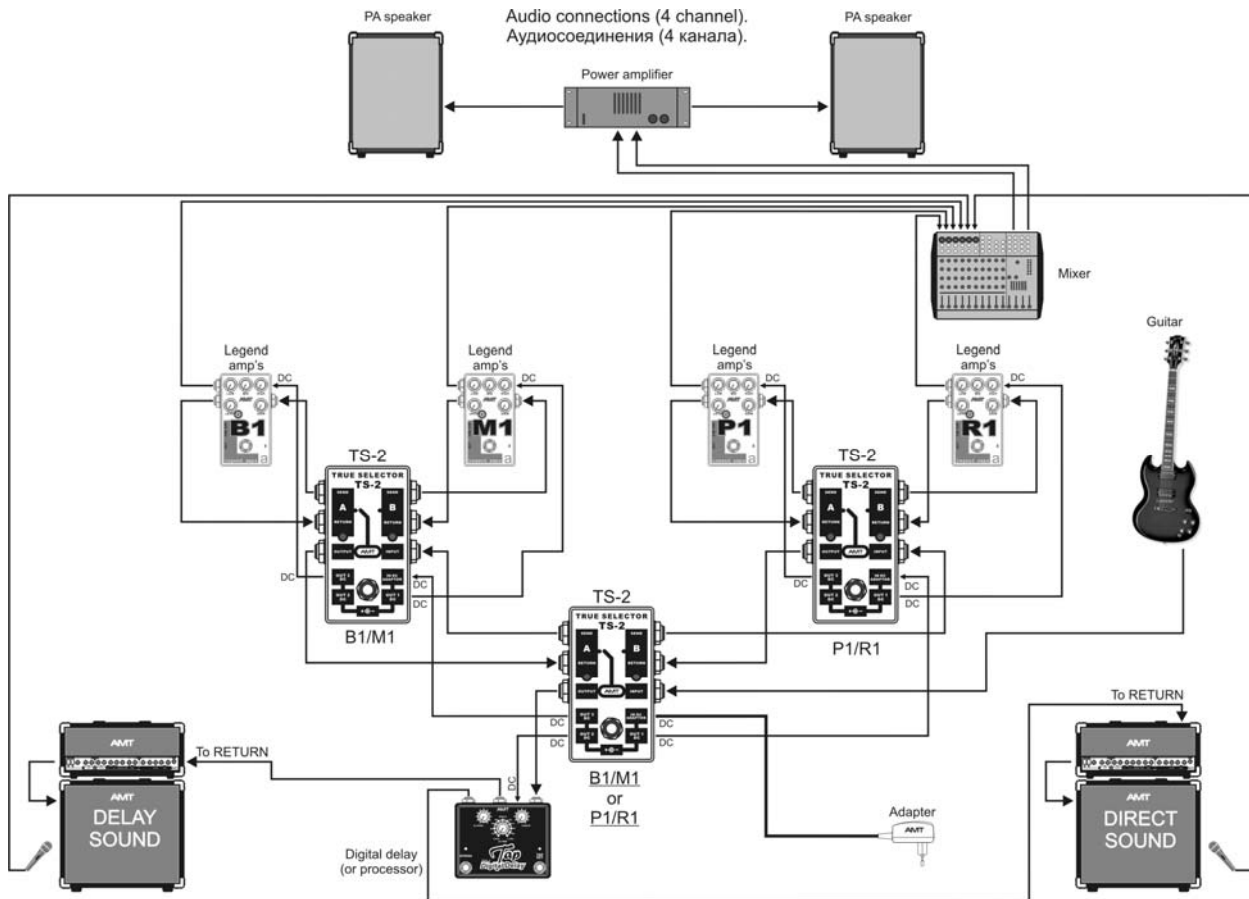
AUDIO CONNECTIONS AND SWITCHING



CAUTION! All connections are to be carried out only when the power of the passive switch has been **SWITCHED OFF!**

Possible audio connections between the passive switch and external devices:





All the mentioned names, titles and trademarks are the property of their owners.

TRUE SELECTOR TS-2 Block-diagram.
TRUE SELECTOR TS-2 Блок-схема.

AMT Electronics reserves the right to change the internal and external design of the device which won't decrease its consumer properties without preliminary notification. In this connection the specifications and appearance of the device might differ from the ones shown in this document.

